



MOD. 139-SF - Railway catering



MOD. 209



MOD. 109-3 - Paper converting machine company

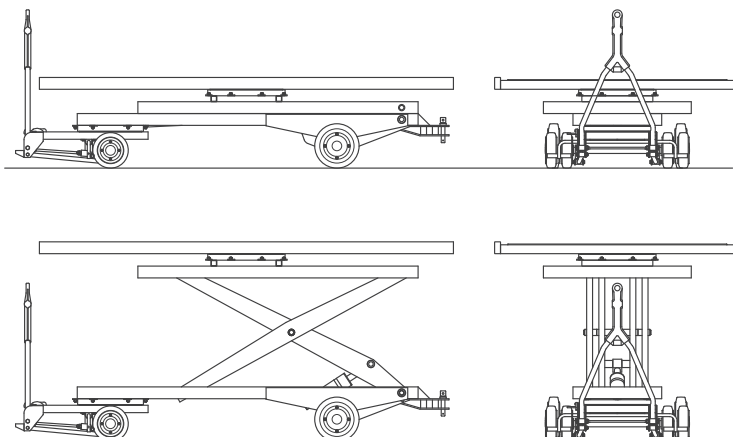
FEATURES

Bertoli's experience in the lifting sector, gained with the construction of auto lifts, has been transferred into the achievements of trolleys with lifting systems:

- Mold holders
- Platform equipped to carry railway batteries
- Refrigerate isothermal container
- Simple loading platform
- Housing for aircraft maintenance reactor
- Customized systems with equipment for special lifting

These are all examples of possible applications of this system.

MOD. 293-F



MOD. 139-SF

